

Lee Crock's 'Aura Therapy' / 'Energy Cleanser' Machine

In my travels and research over the years, I have tried several electronic methods claimed to help the body heal itself. None has given results that were measurable. Of course, no sane person will say outright that their method "cures" anyone for fear of the wrath of the PDA, AMA or local medicos whose regular income depends on your remaining sick.

The machine I want to tell you about first came to my attention through several emails sent to KeelyNet, asking if there was any information about a fellow in Caldwell, Ohio, named Lee Crock, who was using something called "aura therapy" to get amazing results with sick or ailing people with varied conditions, some given up on as beyond hope.

Some of the conditions this machine has been used to help resolve include all types of cancer, Alzheimer's disease, rheumatism, arthritis, kidney, heart and lung failure, hearing loss, various physical pains, headache, epilepsy, Hodgkin's disease, shortness of breath, viral and other conditions, as reported in testimonials seized and on file at the Noble County Courthouse in Caldwell, Ohio.

I had never heard of the guy and didn't actively begin looking into his work until a couple of months later, I ended up calling Mr Crock on several occasions and found him to be charming, personable and very informative about his method. He repeatedly told me he wanted to help as many people as he could, while he could.

After speaking with him several times on the phone and after he sent me a copy of his patent, I wrote up a file about the Crock machine for the KeelyNet website (see <http://www.keelynet.com/biology/crock.htm>). In 2001, we held the first KeelyNet Conference in Dallas, which gave me the opportunity to fly Mr and Mrs Crock to Dallas so he could give a presentation and demonstrate his machines.

The original patent is slightly different than the current machines being sold, as it shows two screens which have now been found unnecessary since the body serves as a "floating ground" for whichever polarity is in effect during a given 15-minute interval - meaning you just need one wire mesh screen, with the body serving to complete the "circuit".

One schooled in formal electronics would think this can't possibly work or do anything useful unless it has a current path. How can a single wire screen, that doesn't even have to make contact with the body, possibly do *anything* to help heal the body? How can there be a circuit path between this screen and the body?

Lee originally thought it was the aura and has taken photographs with a very expensive aura camera which shows the aura changing brightness and colour after exposure to his machine. That is why he called it aura therapy, thinking the screen interferes with the aura of the body to add energy.

It turns out there is an interesting effect called "electroporation", where the cells can be made to expand or contract depending on the polarity of current applied to them. That is what I think is going on in a weak fashion with Lee's machine, possibly occurring as part of a coupling to the aura, or what the Russians call the "bio-plasmic field".

New information has been released recently on work done by the husband and wife team of D. James and Dorothy Morr  who have worked on biological clocks since the 1960s and recently found a 12-minute expansion and a 12-minute rest cycle associated with proteins and cells. This is remarkably close to the 15 minutes Lee found by empirical observation as the optimum time between switching polarities for his machine.

Before the KeelyNet Conference, Lee kindly sent me one of his very early units. The corroded battery plate grids, arranged for 3 volts DC (vdc) output, use of an off-the-shelf AC timer and a single wire output for the pad. There is also a plus-and-minus port to

A simple electronic device, using 'D' cell batteries connected to a wire screen with the body as the floating ground, produces an energy field which, with a polarity switch every 15 minutes, can help the cells eliminate toxins and resolve a range of health problems.

by Jerry W. Decker   2003

APDOPost17CP
Chapala Jalisco, Mexico 45900

Email: jdecker@keelynet.com
Website:
<http://www.keelynet.com>

measure battery power. Lee brought five of the new units to the conference, and he lei people examine and use them. These five devices also used the single wire pads, which have proven superior to the dual pads as shown in the original patent.

The machine itself is remarkably simple. It has a combination of 10 'D' cell flashlight batteries connected to produce 3 vdc. A switching relay, set for 15-minute intervals, alternates the polarity (negative or positive) sent to a wire mesh screen made of aluminium and available at any hardware store. This wire screen was held on or near the part of the body to be "treated", though it appears to produce effects as long as it is held within about six inches (approx. 15 cm) of the body, thereby reinforcing the idea that there might be some unknown aura-coupling effect.

HOW THE MACHINE MAY ASSIST HEALING

I would like to bring in some other correlations which might further help to understand how this very simple machine could actually be assisting the body to heal itself.

It is my opinion that the aura of the body produces lines of force which actually "write" the pattern of the aura into the physical matrix of the body. The aura, I believe, changes very slowly and is amenable to "sustained" thought—meaning you can reprogram your aura with concentration and repetition.

According to Dr Harold S. Burr of Yale University, all protein in the body is replaced approximately every 159 days (six months), so why then do we not have a new body each six months? Why do scars and ageing appear in a body that is new? Because the aura is the energy pattern which is written into the physical body, and it holds the pattern of the scars and tallies up all the stresses we have encountered over our past, including the prior six months, all written into the flesh of our body.

One interesting claim that correlates is that of David Hudson who states that monoatomic gold is superconducting and when ingested will add energy to the body, increase psychic abilities and promote healing, among other things. David was with our group in Dallas for several days, giving us the opportunity to spend a lot of time with him. I must say, the man is brilliant, with a mind able to span vast bodies of information and correlate relevant parts. He kindly provided me with copies of two lab reports which showed that, new, growing tissue was naturally superconducting — a condition he believes ingestion of monoatomic elements might induce artificially, and a technique he suspects the patriarchs and religious figures knew and used in the past to develop their "powers".

It was from David that I first heard the aura being described as a resultant of superconductivity. A term I like to use in describing the aura, based on David's ideas, is "a dynamic attenuating Meissner Held": dynamic, because it is living and in slow motion, giving the body time enough to "write" the aura pattern into the reality of flesh: attenuating, because it weakens with age and time, eventually becoming so weak that the transcription (copying) of the aura pattern to the body is so weak as to not be able to sustain the energy connection, thus resulting in death; and Meissner "field", because the Meissner effect is experienced with superconductors as a repulsion of magnetic lines of force, no matter the polarity of the magnetic pole. This effect is called "diamagnetism", when both poles are simultaneously repelled. Scientists in Finland have succeeded in levitating living frogs, fruits and other "non-magnetic" objects in a high density magnetic field, based on this diamagnetic repulsion effect.

Lee Crock's Energy Cleaner Machine requires a "steady

stale" DC field from the 10 batteries at low voltage (3 volts). Although there is no current flow that I know of or which has been measured between the wire screen and the body or even the aura of a body, I think the energy field from the wire screen attached to the machine provides an ambient pool of force from which the aura can extract energy. I base this suggestion on natural law, where nature always seeks equilibrium, so by immersing a low-potential object into a high-potential field, the low potential object will necessarily be pulled up in trying to come into equilibrium with the high-potential field. Thus, a weak aura or body energy field will be pulled up by absorbing energy from the wire screen via a coupling to the aura.

A similar background energy effect is that observed by Dr Gianni Dotto, who designed and built the famous healing machine known as the "Dotto Ring", which produced an intense magnetic field using 30,000 amps at almost no voltage, making it "almost superconducting"; ergo, current without voltage in a super-cold material has no resistance. According to reports, Dotto's machines would levitate off the floor when in operation, due to the intense magnetic field they produced. This effect resulted from repulsion against the magnetic field lines of the Earth. This claim has caused many to sneer and say it is impossible because the field lines of the Earth's magnetic field aren't that strong.

However, about three to four years ago I received a couple of telephone calls from a young man in Atlanta, Georgia, asking if I knew of a compact power supply that ran on gas or some other replaceable fuel. Well, yes, I said, there are many power supplies that could fit that requirement, depending on how much power was required to be generated. He then proceeded to say he had built a three-foot spherical model of the

It is my opinion that the aura of the body produces lines of force which actually "write" the pattern of the aura into the physical matrix of the body.

Wachpress levitating monopole magnet, connected with a power cable, and which he flew around the room. He wanted to expand this to a six-foot model which would allow for a pilot and needed a self-contained onboard power source. I was impressed by the claim, and he swore it was true and that he could only fly it for about 20 minutes or so before the coils became too hot due to the very high current necessary to drive them, so he risked shorting them out.

This young man was very paranoid and never contacted me again after the two phone calls, so I didn't have a name or any way to contact him. Granted, it could have been a hoax; but he sounded sincere and rather harried, like he was afraid of something.

His machine was based on a magnetic "monopole" which is described in the 1989 patent by Herb Wachpress, describing a toy based on a unique geometry that produced just such a monopole. Basically, it consists of six electromagnets, all pointing with the same polarity towards a centre so as to form a sphere. With sufficiently strong small magnets, you should be able to make a purely "magnet-powered" monopolar sphere. When measured around the surface of the sphere, it would appear as a monopole,

since only one polarity was facing outwards. Using this, Wachspress made a table with electromagnets appropriately positioned and connected to a joystick, so that the magnetic monopolar sphere could be "flown" in the air above the electromagnetic table.

This has no real bearing on the Crock machine or how it works, but I just thought it might be interesting in light of the claims that the Dotto Ring machines levitated off the floor when in operation to produce the 30,000 amps and thus a very intense magnetic field. It would be great to hear from anyone working along these lines, though I don't think I would want to ride in a flying machine with such a strong magnetic field density!

Another interesting correlation to the Crock machine are the "Eeman relaxation screens", sometimes called "bio-circuits" or "Eeman screens". These were discovered by Leon Ernest Eeman in the early 1920s. After serious injuries in a plane crash, Eeman was deemed 100% disabled. While hospitalised, he recalled Jesus' admonition, "Heal the sick by the laying on of hands". Eeman reasoned that this healing energy was the subtle energy of the life force itself. Within two years of his release from hospital, he had developed techniques using these screens that restored him to better health than he had ever known.

These screens are passive devices that facilitate the flow of subtle bodily energy. A scientific, double-blind study, which measured muscle tension and skin conductance as well as monitored EEC, found these screens to be superior for producing relaxation.

LEE'S HEALING PRINCIPLES & TREATMENT PROTOCOLS

After all this preliminary material, now is a good time to repeat what Lee told me on the telephone in our numerous conversations and what he said at the KeelyNet Conference. (By the way, we do have a videotape of Lee speaking at the conference; order from <http://www.keelynet.com/products.htm>.)

Lee said he was fascinated by the "laying on of hands", as reportedly used by Jesus and his disciples and other healers. His healing system stems from Reiki massage therapy, which he says partially relies on the production of heat in the hands to heal the body. The treatment takes from three to five days and is given at his facility, HDK University. At the time of the conference, Lee reported that it has 30 beds and is able to provide treatments around the clock. Those too ill to care for themselves are requested to bring a friend or helper.

Lee says a counter-clockwise (CCW) motion is positive, discharges the cellular electrical energy and relieves pain within about 14 minutes—as opposed to a clockwise (CW) motion which is negative and refills the cells with energy. He describes the principle as like emptying a bucket, filling it back up and emptying it again, over and over, with the idea being to flush out irritants and toxins.

He says an easy demonstration is to hold your hands flat against or close to the ailing organ or body of a subject, and move the palms of your hands in a CCW motion until you begin to feel a heating effect. Once you achieve the maximum heat, you lay your hands on the area being treated and let them cool

down.

A CW motion will recharge the cellular energy, and after about 30 hours of this CCW then CW treatment, repeated in 15-minute intervals, the subject improves. By using a relay of four or more people, doing this technique without the machine, you can continually flush and recharge the damaged cells over 24 hours for three to five days or as needed. The machine Lee has developed apparently produces this same alternate CCW and CW motion without the need of a human operator to produce the same flushing and recharging effect.

One of the side effects is excess urination in people with very serious health issues—Lee says this is due to the body discharging the irritants and toxins that are being released as the tissues are being flushed out via this very simple method. Lee and his volunteers have worked with over 10,000 people over a three-year period with excellent success rates, he says, with these people coming from all over the USA and at least 10 foreign countries. Yet he has been summonsed to appear in court and forced to change the name of his facility from Therapeutic Clinic to Therapeutic Academy (which he has since renamed EDK University due to legal reasons), although he has never claimed outright to be able to heal or cure anything or anyone—His method simply assists the body to heal itself by flushing out the irritants and toxins that cause the problems. Lee says his electronic device has one wire leading from it which is connected to a screen that is usually scaled inside a pillow. The pillow can then simply be laid on the suspect organ; the bigger the screen, the greater the area affected.

Lee and his volunteers have worked with over 10,000 people over a three-year period with excellent success rates, he says, with these people coming from all over the USA and at least 10 foreign countries.

The CCW motion, Lee says, is like building a coil; and since a coil attracts electricity, this energy coil will pull the electricity out of the cells and carry the toxins with it. He says the proof of this motion is the production of heat in the palms of the hands, which can be felt with or without the machine; and a less subjective proof is that the subject may tend to urinate frequently when being subjected to this bio-healing and cooling effect.

This sounds to the author like a version of "iontophoresis", where charged ions can be used to introduce or remove elements or chemicals to or from the cells—Once these cellular contaminants are in the bloodstream, they are detected as invaders or excesses and removed as waste, most easily via urination.

And yes, Lee says he has treated himself with the machine for months, where he used a 4 x 8 foot wire mesh screen placed between the mattress and box spring of his bed, with his machine feeding this mesh screen so he would be treated while he slept. He reports that during this process he would have to go to the bathroom four to five times a night, and had to discontinue using the apparatus due to dehydration as a result of his body flushing out irritants and toxins. He adds that it is important to drink lots of fresh water to assist in the flushing. He also mentioned that after discontinuing this nightly treatment, he often still has to

urinate overnight, but the effect is going away over time. I take Lee's comment as a great warning *not to overuse* this technique; use it only when you need it.

Lee provides background information on the basic effect and its discovery, including an "aura therapy" booklet which he gives away freely. He is generous to a fault and charges nothing for people to come to his facility and stay in one of the 30 beds for as long as necessary to get them better. He says he is just there to help whomever he can. Look around and see how rare this kind of attitude is these days- Lee says to give him a call so he can find you an open slot in the schedule- His suggestion impressed me, in that he didn't seem the least bit concerned with selling anything. His main concern is helping as many people as he can while he is here—another sign of excellent character.

I asked if the facility was set up as a non-profit organisation, and he said yes, so they are in a position to accept donations, bequests, etc. However, Lee has an unusual way of selling the machines, using a "lease with option to buy" system. The university where Lee allows people to come and use the Energy Cleaner machines for free does cost money to operate. Many people cannot afford to pay to stay there, so the money has to come from somewhere.

Lee offers a money-back guarantee where he charges US\$3,000 for a machine, which you can use for a month. On receipt of the money, a machine is shipped to you overnight, with the cost of that shipping taken from the \$3,000. If you send the machine back undamaged* you receive the \$3,000 minus the overnight shipping cost. If you decide to keep the machine, the extra money helps to run his clinic and allows those who cannot afford to pay an opportunity to benefit from the machine. In this way, many can benefit from those who buy his machines, so I urge you to consider helping him if you can.

Many people, including myself, have suggested to Lee that he lower the price of the machine and sell many more in volume without the money-back option. This would allow so many more people to benefit. He resists this suggestion, as the system has worked well thus far. The Energy Cleaner Machine can be used for so many problems that many people choose to keep them for their family and friends to use,

RESULTS WITH THE MACHINE

Lee says he has achieved amazing results in treating Alzheimer's disease, because his system helps to flush aluminium from the tissues, as well as arthritis and rheumatism, which resolve as the excess calcium crystals are flushed from the body. He says that in a urine sample of an arthritic person, tiny brown calcium crystals can be seen.

I asked him about muscular dystrophy and other such illnesses, and he says they are nerve disorders, the success of the treatment depending on the degree of decay—though he added that trying it couldn't hurt. Also, since Lee has a great sense of humour, I asked him if the technique helped hair growth or would act like electronic Viagra. He said no, he didn't think it would help restore hair, and he didn't know what Viagra was. I explained it and he said that, well, most of that is in the mind, anyway, so he didn't think it would help...!

One of the other discoveries is that you can have several people touch the pillow while the machine is on, resulting in a greatly increased effect—as if the machine, producing its alternating CCW and CW fields, absorbs additional healing energy from the people participating, which greatly intensifies the healing effect.

This is very similar to the claims of the Eeman screens, where two wire mesh screens are laid nest to each other and offset on the floor to be connected with one wire at the top and one wire at the bottom. A healthy person lies on one mesh screen and a sick person lies on the other mesh screen, alongside each other, so that the feet are on the end of each screen. The idea is that a bioelectric current will flow between the two, producing a form of induced empathic, trans-sympathetic healing.

Lee has many great stories about using the machines. One of them has to do with a woman who had lung cancer and was given up to die. In the hospital she was in an oxygen tent to assist her breathing. They thought about ways to smuggle the machine into the hospital to help her.

She was known to be a very religious woman, so they put the device in a suitcase and wrote "anointing oils" on it, then took the pillow and the suitcase in. The pillow was placed on the woman's chest and the single wire was connected to the machine. The helpers all placed their hands on the pillow and put on quite a show when the nurses and doctors came in.

They went back every day and treated the tumor a little. Within three days she was taken off the oxygen, and within five days she was released to go home. The cancer had "disappeared" and was written off by the doctors as a miracle due to

"spontaneous healing".

MY PERSONAL HEALING JOURNEY

I will tell you about my experience with the machine. For some 23 years. I ran the technical support department in three different photo-finishing labs. During that time I was exposed to chemicals which I blame for damaging my spleen and causing it to become enlarged. The spleen kills off old red blood cells, among other functions, so when it is enlarged it kills off many more red cells than it should, leaving the subject tired and needing sleep, Thai was my problem.

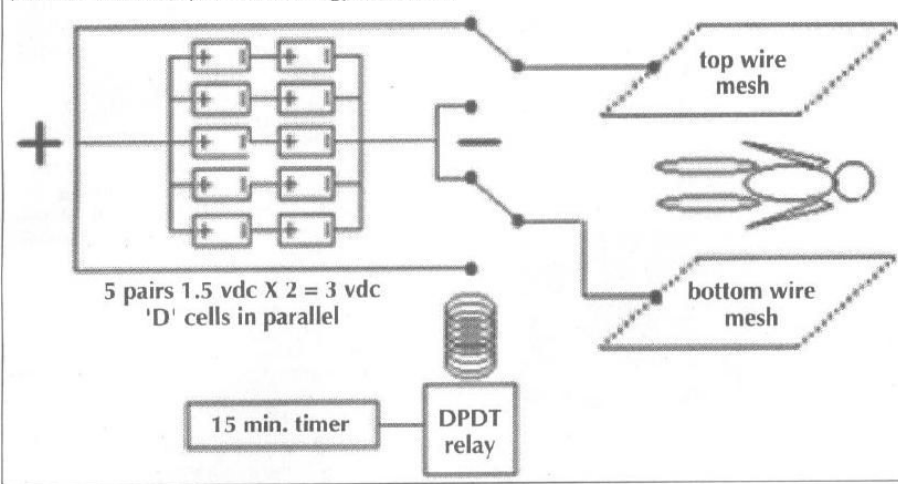
Having visited five doctors I was sent to a haematologist, who found an enlarged spleen to be the problem. My options were to have it removed and thus become susceptible to opportunistic infections where my only recourse would be to take antibiotics, or take massive doses of cortisone. Either option would eventually damage other organs. Or I could just live with it. I chose to live with being tired and needing more sleep than normal, but I was always looking for something that might help my non-life-threatening condition.

My red cell count when I was first tested was 7.9, and the doctor could not believe I was even walking around. The normal red cell count for a healthy male is 12 to 16, according to the medical staff I consulted. They put me on massive doses of iron and folic acid, which in the next test only increased my count to 8.1. That was the best they could do, and they expressed regret that they could not do more. That was in October 2000.

In the summer of 2001, we had the KeelyNet Conference and

Lee says he has achieved
amazing results in treating
Alzheimer's disease, because
his system helps to flush
aluminium from the tissues...

Lee Crock's Alternating Tissue Flush method
(Source: www.keelynet.com/biology/crock.htm)



EXPERIMENTING WITH THE "ENERGY CLEANER" MACHINE

The new machines Lee uses necessarily require just nine 'D' cell batteries to get 4.5 vdc and require no outside power, making them completely portable—a much desired feature for many situations and for travel.

These self-contained battery-powered machines are very well built by Mr Tom Berryhill. If you would like to purchase one, email Lee Crock at Energycleaner@aol.com. I recommend that you visit Lee Crock's website at <http://www.edkuniversity.com> and read all the details provided, particularly the testimonials.

In experimenting with the machines, I notice with the 3 vdc system a heat sensation from the pad which I don't experience with the 4.5

vdc system. I thought this was just me, until a fellow in Texas asked me to build him a machine. After he received it, he wrote back saying he had also bought one of the 4.5 vdc systems and had felt heat from the 3 vdc machine but not from the 4.5 vdc, I don't know that this is critical, as people have used and are using the 4.5 vdc system with good results.

My red cell count increased, using one of Lee's newer 4.5 vdc machines, so it apparently doesn't make a difference. A friend resolved her sarcoiditis cancer with the 3 vdc system, as in the MexiStim unit, and (his is the design for the machine which I now use for myself.

You can build yourself a machine with some basic ability, but the most difficult part is the timer. Some people use an integrated circuit based on a 555 timer with a big capacitor; others use a 24-hour appliance timer, which I believe gives you 12 cycles which can switch in 15-minute intervals for a total of three hours; yet others do the absolute simplest thing: they hook the wire from the batteries to the screen and watch the clock for 15 minutes: once this has elapsed, they move the wire to the opposite polarity and wait another 15 minutes. All these methods seem to work.

I think it critical to repeat something Lee was quite adamant about at the conference. Lee says to *use only carbon 'D' cell batteries*—not lead acid, not alkaline, not NiCads, not rechargeables and not AC adaptors, because he's tried all of them and didn't get the same feeling in his hands when testing the machine with 10 'D' carbon cell batteries wired for 3 vdc.

We had quite a discussion without carbon being key to life on this planet and why it was that carbon batteries are the best type to use. Was there some kind of sympathetic resonance connection through the carbon connection? This sounds somewhat reminiscent of Edgar Cayce and other bio-energy devices that use carbon. Who knows, it could lead to a new science.

At the conference and in our telephone conversations, Lee also said to use 10 batteries—not nine, not 11, but 10—which they found produces the identical heating and healing sensation he and his fellow practitioners feel in their hands. Since their new portable machine uses nine batteries to produce the 4.5 vdc, perhaps they have changed this recommendation.

Lee lent me one of his machines- I used it for approximately three months, with a 3 x 4 foot aluminium wire screen under my mattress pad and the machine running unnoticed under my bed, all but forgotten.

In the third month, I began having trouble sleeping and would wake up with a lot of energy. I would have to get up to clean the house or do something to dissipate this extra energy so that I could sleep and make it in to work the next day. Finally I realised that the only change I had made recently was to put the Crock machine under my bed, so I disconnected it and over the next two days my sleep pattern was restored.

Around that time, I quit my job for my planned move to Mexico, since the haematologist warned me I was now at risk of sudden heart attack. It scared me pretty badly, so I decided to make a serious life change. Before I left Dallas for my exploratory trip to Mexico. I went back to the haematologist to have another red cell count—and this time it showed 8.9! I had taken *no* iron and *no* folic acid. The doctor and the nurses came to read this result and were amazed, asking me what I had been doing to cause such an increase when their best was 8.1.

I tried to tell them about the Crock machine, but they put their hands over their ears and said they didn't want to hear about any alternative health machine. So much for that. But I made them give me photocopies of the test from the 8.1 (my last best reading under their guidance) and this new 8.9 using *only* the Crock machine.

Needless to say, it certainly gave me faith in the machine. I definitely had more energy, and this test showed why: I simply had more blood. Now I don't know if the machine is helping to increase my red cell production or if it is healing my spleen. To tell you the truth, I don't care - because I feel so much better!

Since moving to central Mexico in November 2001, I have built my own version of the machine, which I call the "MexiStim", and have been using it under my bed with a wire screen under my mattress pad. The machine is on all the time, but sometimes I have to disconnect it because it produces too much energy and prevents me from sleeping.

I have completely changed my diet and lost four pants sizes, which had further benefits for my health. Also adding to my success was not having the temptations of fast food and the stresses of the computer call-centre job that was contributing to my health problems.

Continued on page 74

The one wire screen method, as described earlier in this article, is the method currently in use for the machines Lee is providing and in the MexiStim machine I build by request. Though you can cut a piece of wire mesh screen to whatever size you want, I use a 1 x 1-foot wire screen for local application and a 3 x 3-foot wire screen under my mattress pad for all-night application.

All you do is attach one corner of the wire screen to the negative pole of the batteries and leave it for 15 minutes, then attach it to the positive pole and leave it for 15 minutes, then repeat; or you can build a switching timer so it does it by itself; or buy one of the prebuilt and tested machines and save all the hassle.

Lee Crock and Tom Berryhill recently reported that you can connect the output wire to a metal bathtub filled with water or just suspend it in the water, then sit for a while to experience what Lee calls the "Fountain of Youth".

In the 1900s, people used "galvanic baths" for medical treatments, but this machine doesn't have a current path so it shouldn't be doing anything. Since the machine is battery powered, I think it is perfectly safe due to there being such a low voltage and no current flow. The MexiStim unit I build has a completely separate battery system isolated from the AC adaptor-powered timer. I definitely plan to try this "Fountain of Youth" claim.

Once again, if you want to read more about the Energy Cleaner machine, its history, testimonials, instructions for using it, etc., go to Lee Crock's website at <http://www.edkuniversity.com> or read the KeelyNet article at <http://www.keelynet.com/biology/crock.htm>.

Should you wish to contact Lee Crock, enquire about purchasing one of his Energy Cleaner machines or make an appointment to visit his university to try out a machine (think of it as a mini-vacation), his contact details are:

EDK University, PO Box 313
Williamstown, WV 26187, USA
Telephone: +1(818)3755081,
Email: crock@edkuniversity.com
or Energycleaner@aol.com

THE MEXISTIM UNIT

For those who might not have the

technical ability or patience to build one of these machines, I can build you a MexiStim unit for US\$200 plus shipping (without the 10 'D' cell batteries, as they are too heavy to ship) - approximately US\$50 to ship from Mexico to the United States, and more for overseas. Be aware that shipping from Mexico takes at least three weeks due to Mexican mail service.

Since I have been here in Mexico, I've met a North American lady named Donna who wrote a best-selling book on anger management and was invited to appear as a guest on *Oprah*. Donna told me that her son, who is in his early 30s, had an incurable sarcoiditis cancer.

He was visiting here for a week, so she took him around for aromatherapy, acupuncture and anything that might help him - none of which did.

I told her about the Crock machine and lent him the unit I brought to Mexico. He said he could feel a heat coming from the pad, so he used it during the last three days he was here.

On his return home, he had an MRI done and the doctors told him his cancer appeared to be "melting", so he was eager to spend more time using the machine but could not afford Lee's US\$33,000 "Lease with option to buy" terms.

So impressed was he and his mother with (he results of even a short exposure to the machine that his mother asked me to build him a MexiStim unit - which I did, and I mailed it to him in Connecticut. This was in 2002.

Donna only stays here with her husband for about six months of the year, so they went back to the States and I forgot about the machine. About two months ago, around March 2003, she returned and was all effusive, saying the machine I sent her son had healed his sarcoiditis cancer, as proved by MRI and biopsy. They were both ecstatic, though the doctors claimed the cure was a case of "spontaneous remission".

A lady friend in Dallas had rectal cancer and I lent her one of the other Crock machines which Lee had lent us to let people use. She now reports she is cancer free and is now taking the machine to another friend who has many ailments, so we are hoping it will help him.

I recently received an email from a medical practitioner in England who

is using one of my MexiStim units, and he wrote: "Have my cancer patient on box and already getting positive feedback from her. Within an hour of using it, her pain in the chest had reduced by 75%, The next morning her energy was also good, so we'll see how she does as she has to have chemo next week again. She only has a 10% chance of survival* so this should prove interesting."

I have built several MexiStim machines at the request of people who visit KeelyNet. My version uses the original 3 vdc system with an AC adaptor to power the custom-switching timer circuit I build, and is powered by 10 batteries.

Also included with (the MexiStim device is the custom-switching timer circuit board, a jack for the AC adaptor power, the AC adaptor as shown, a jack for the wire screen connection and the cable connected to me approximate one-foot-square wire mesh screen, all of which comes with the unit for US\$200 plus shipping and is tested before shipping to ensure correct operation.

If you'd like to order a MexiStim unit or have questions or comments, feel free to email me at jdecker@keelynet.com or through <http://www.keelynet.com>, or you can write to:

Jerry Decker APDO
Post17CP Chapala,
Jalisco Mexico 45900

I can take payments via credit card (please provide cardholder name, billing address for your card, card number, expiration date and shipping address), or through PayPal (<http://www.paypal.com>), sent to my email address.

My goal, here in central Mexico, is to build an alternative science research centre. KeelyNet has many dozens of projects which have commercial potential and need one or more investors or partners to finance them. The returns could be phenomenal and we could do much to quantify so many of the bogus claims in the alternative science arena. That includes many projects relating to free energy, gravity control, health machines and rejuvenation systems. KeelyNet interests and technical information are both wide-ranging and prolific in many areas.

If you are interested in investing in or discussing this alternative research centre, please email me at jdecker@keelynet.com.